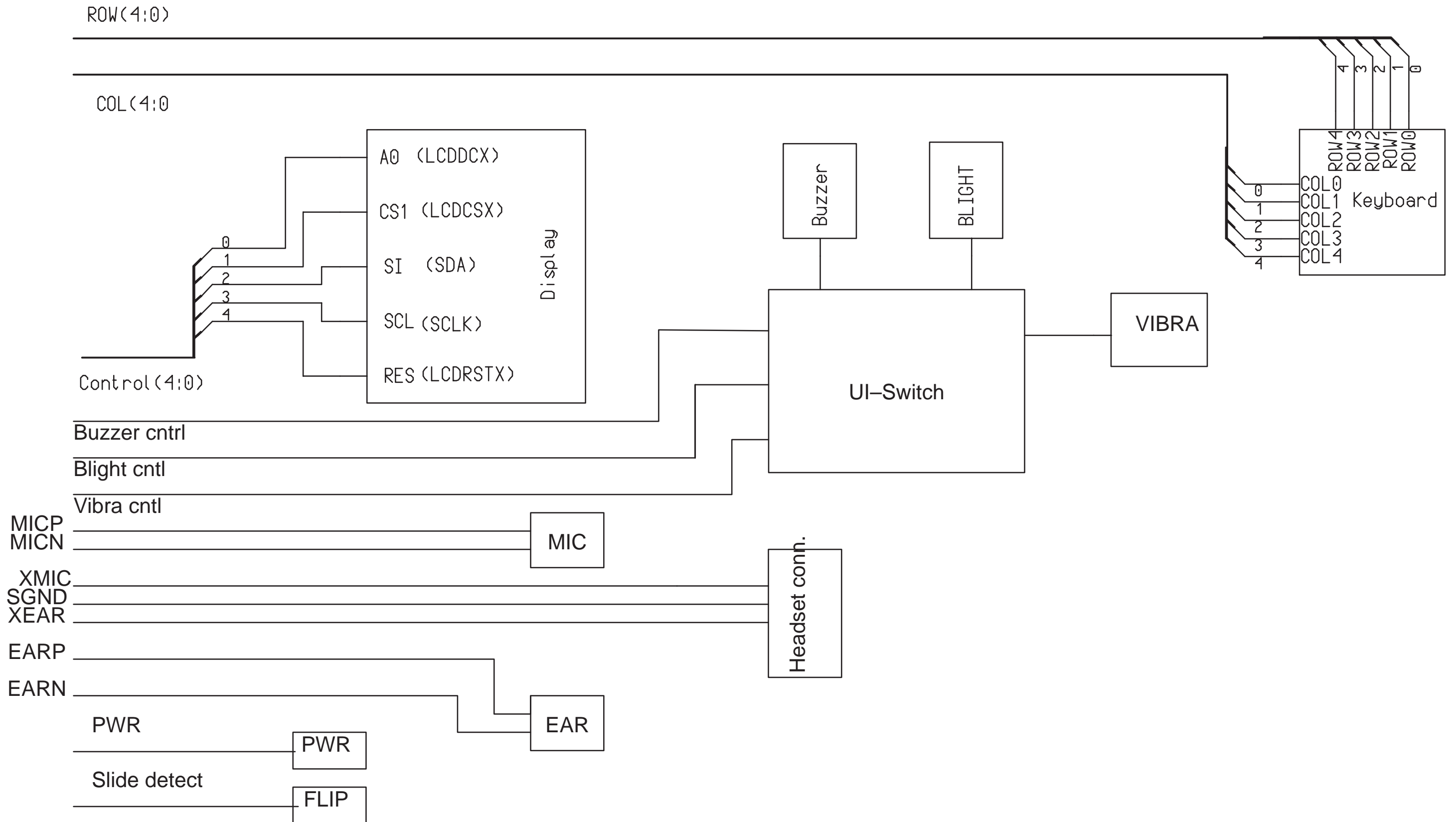
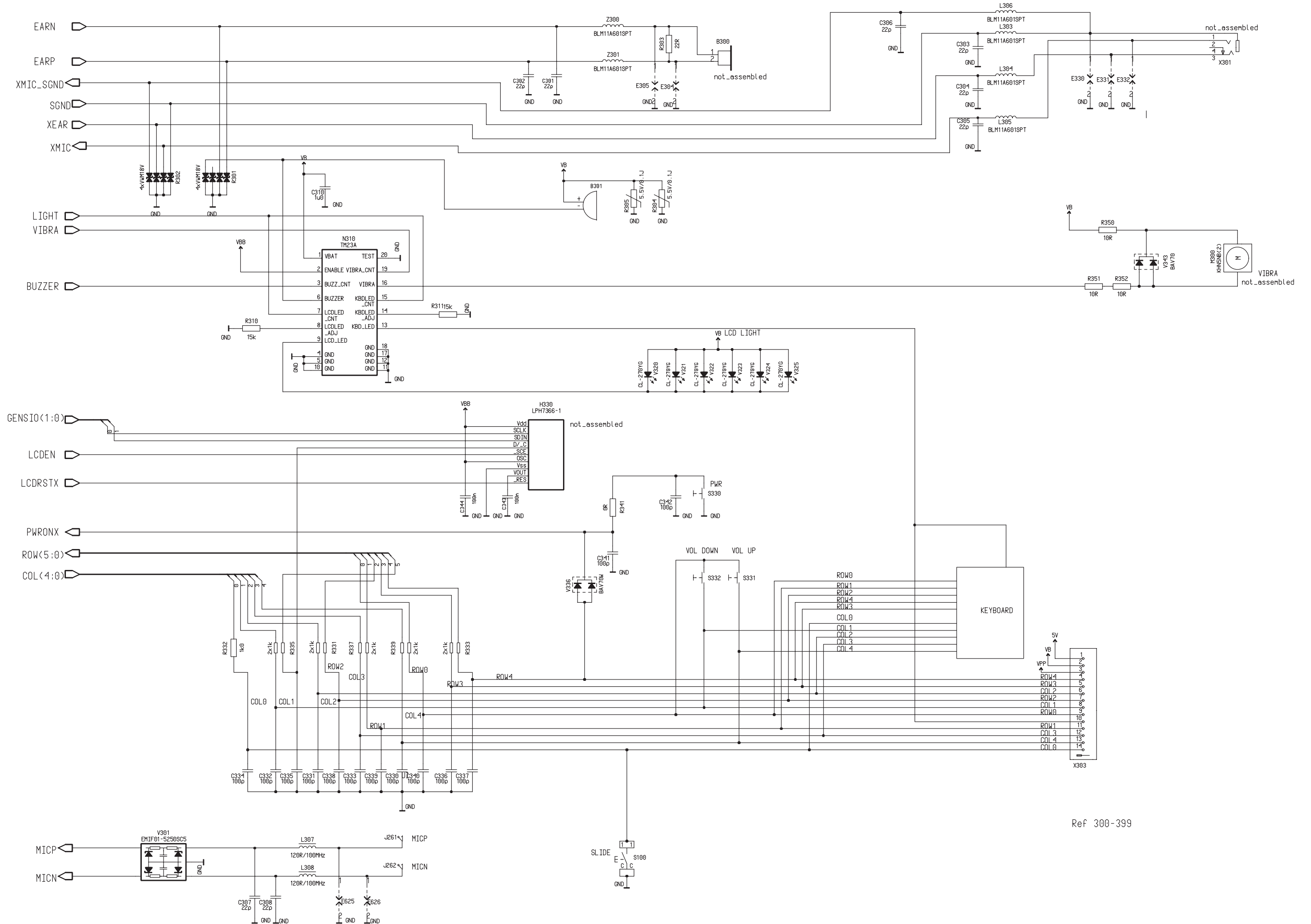


Block Diagram of UIF

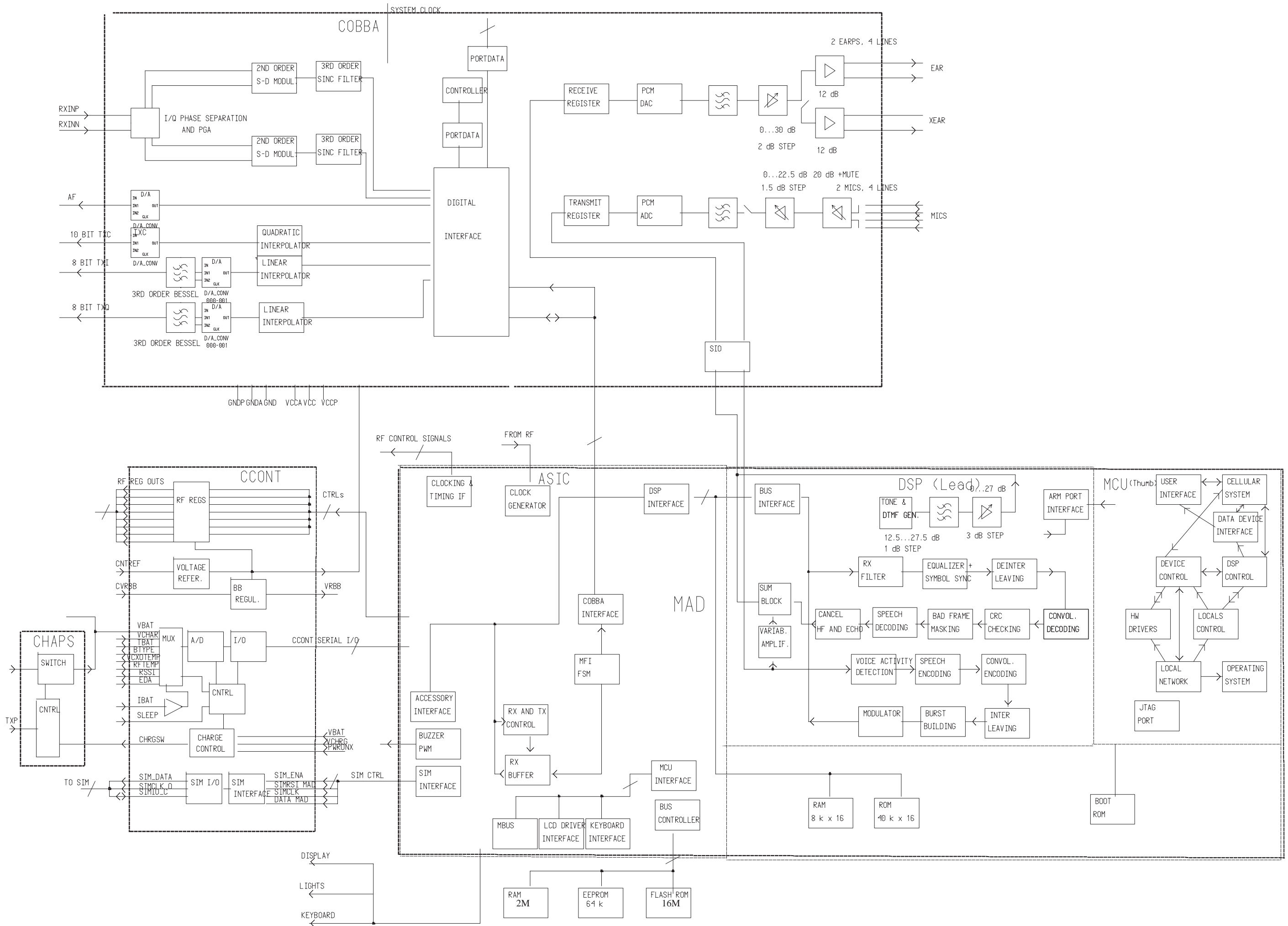


Circuit Diagram of UIF (Version 7.0 Edit 218) for layout version 07

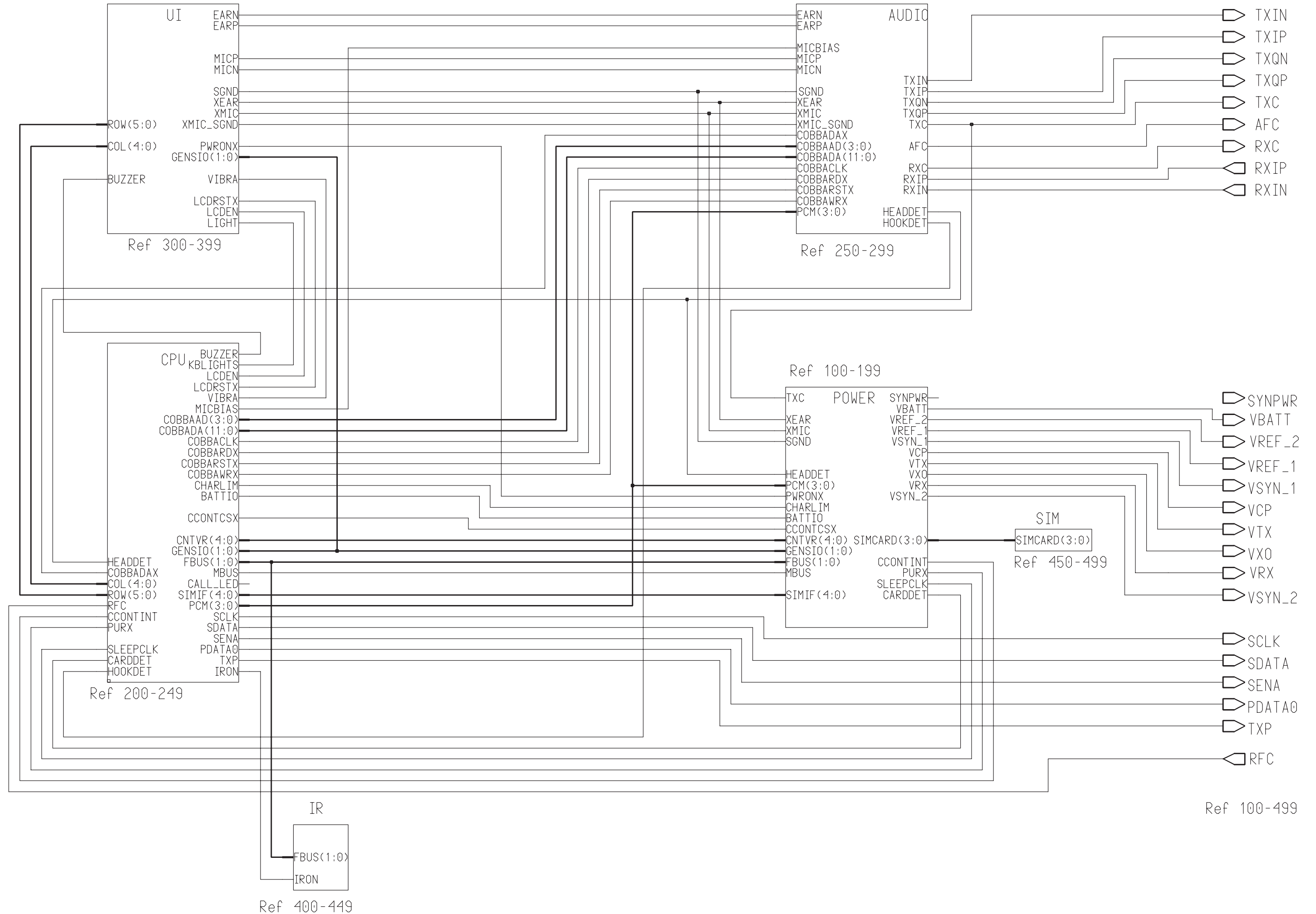


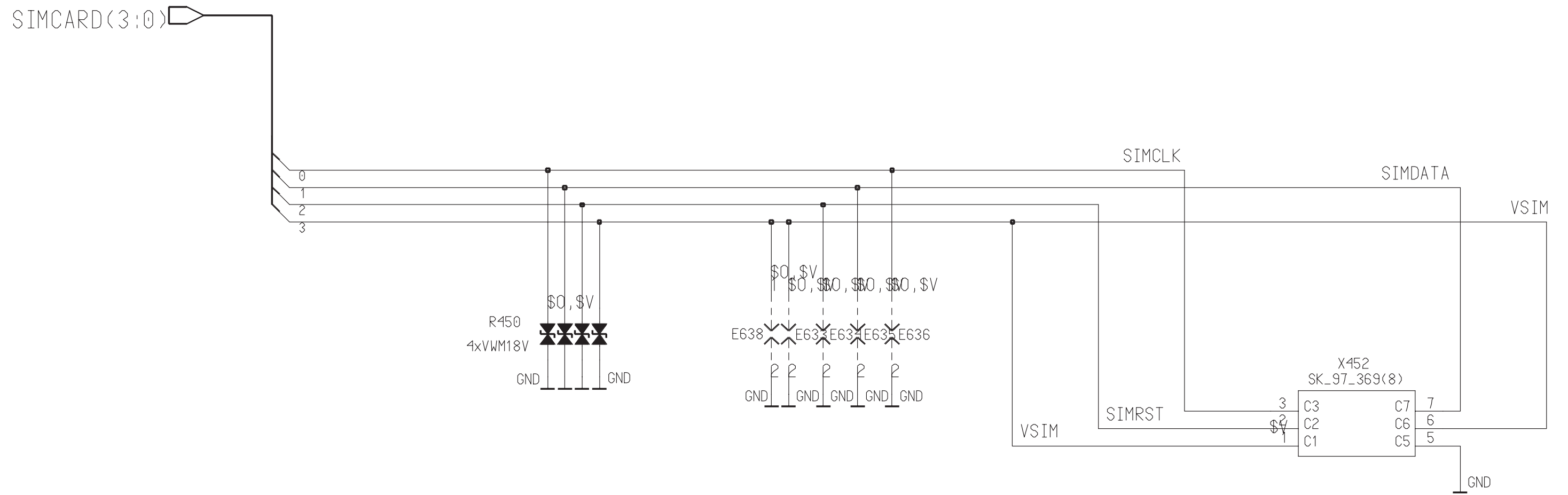
Ref 300-399

Block Diagram of Baseband

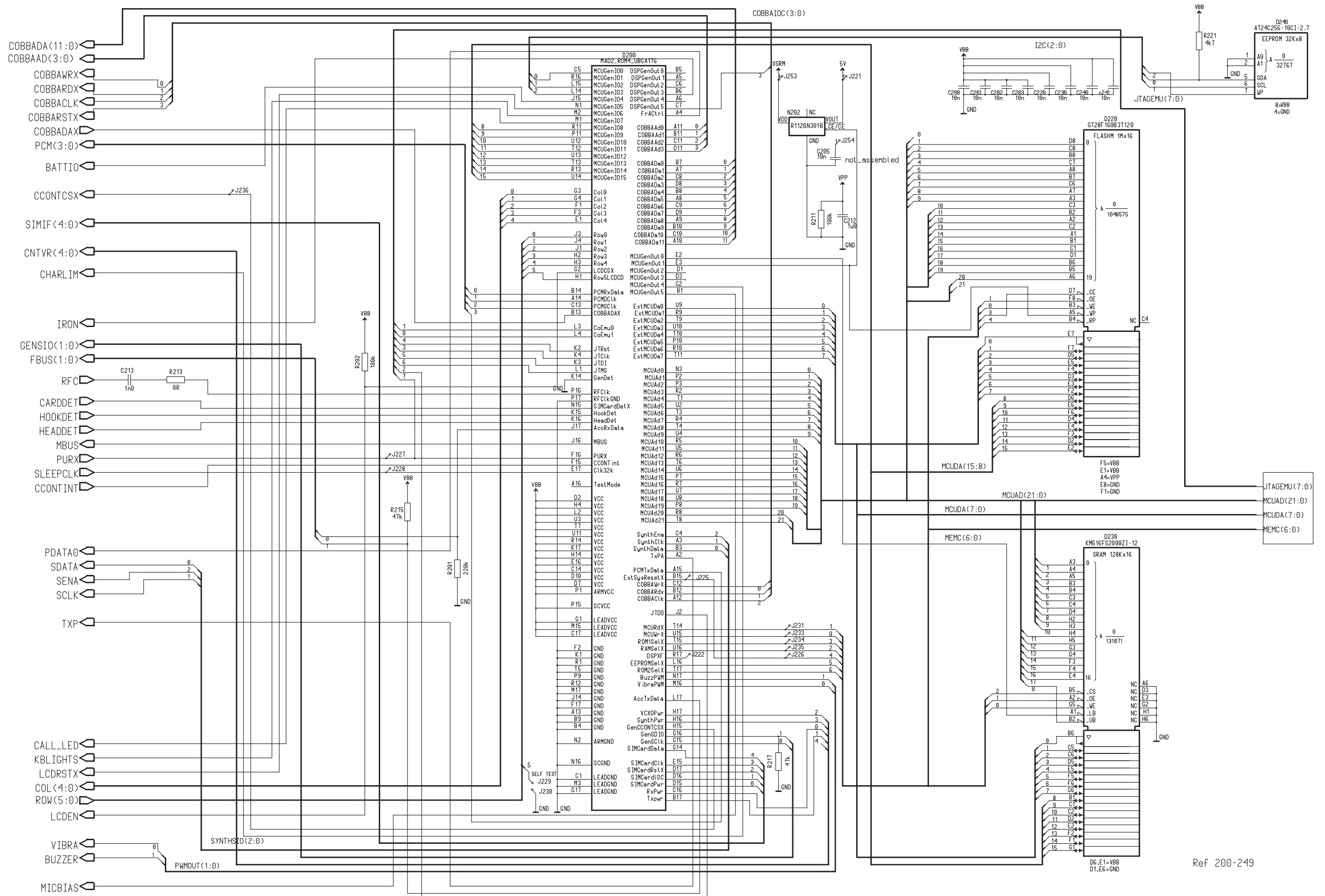


Circuit Diagram of Baseband (Version 7.0 Edit 105) for layout version 07

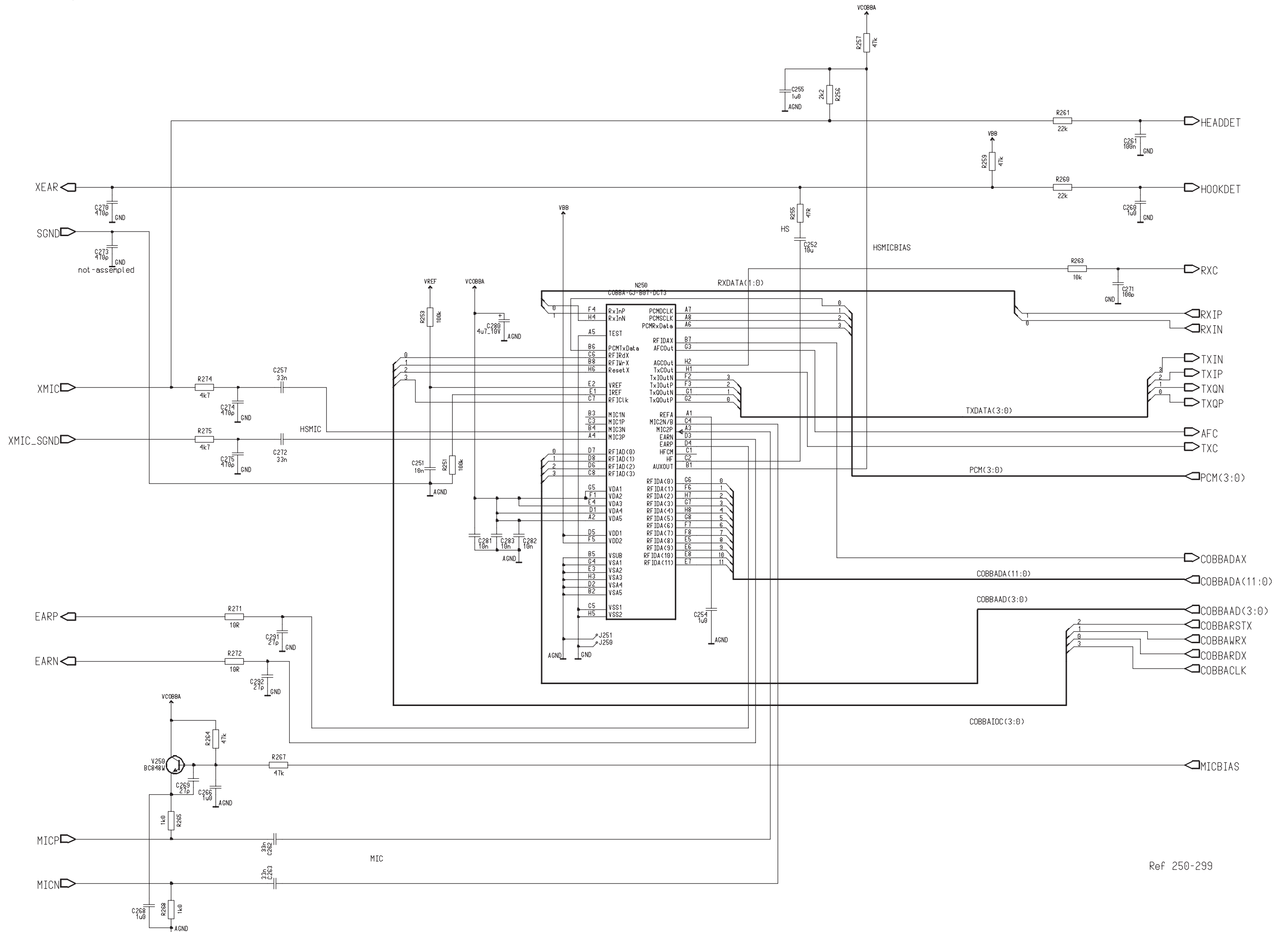




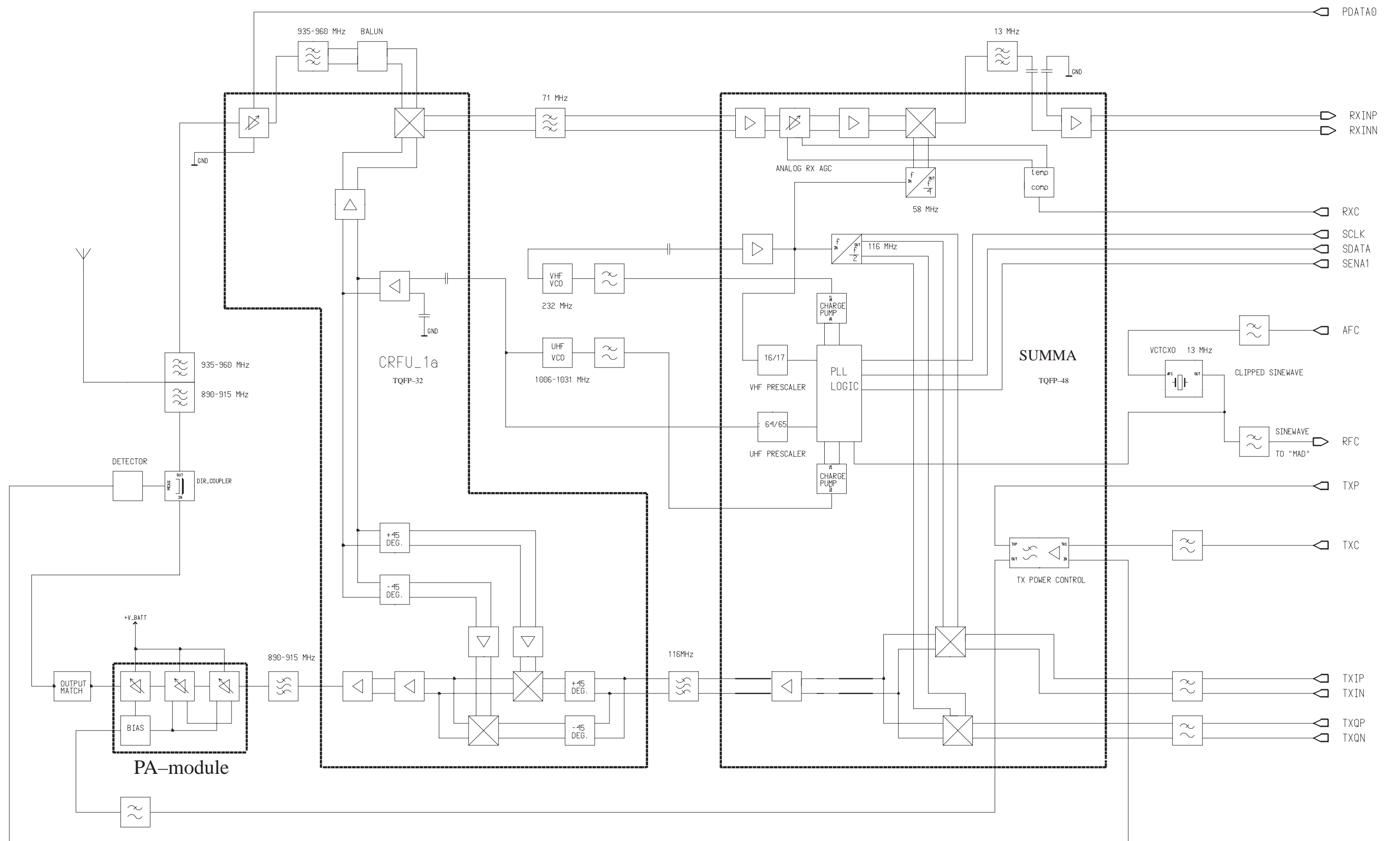
Circuit Diagram of CPU Block (Version 7.0 Edit 208) for layout version 07

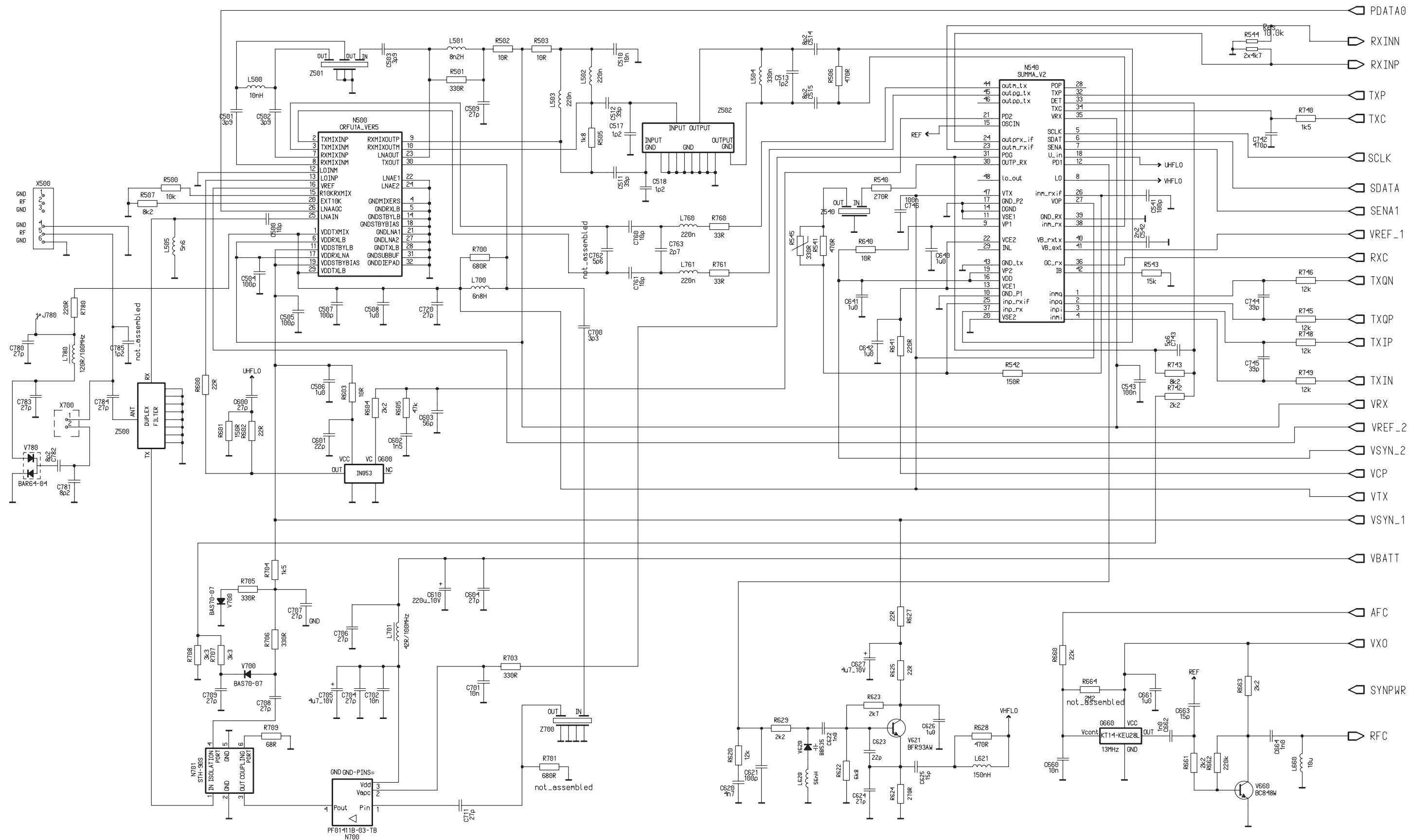


Circuit Diagram of Audio (Version 7.0 Edit 126) for layout version 07

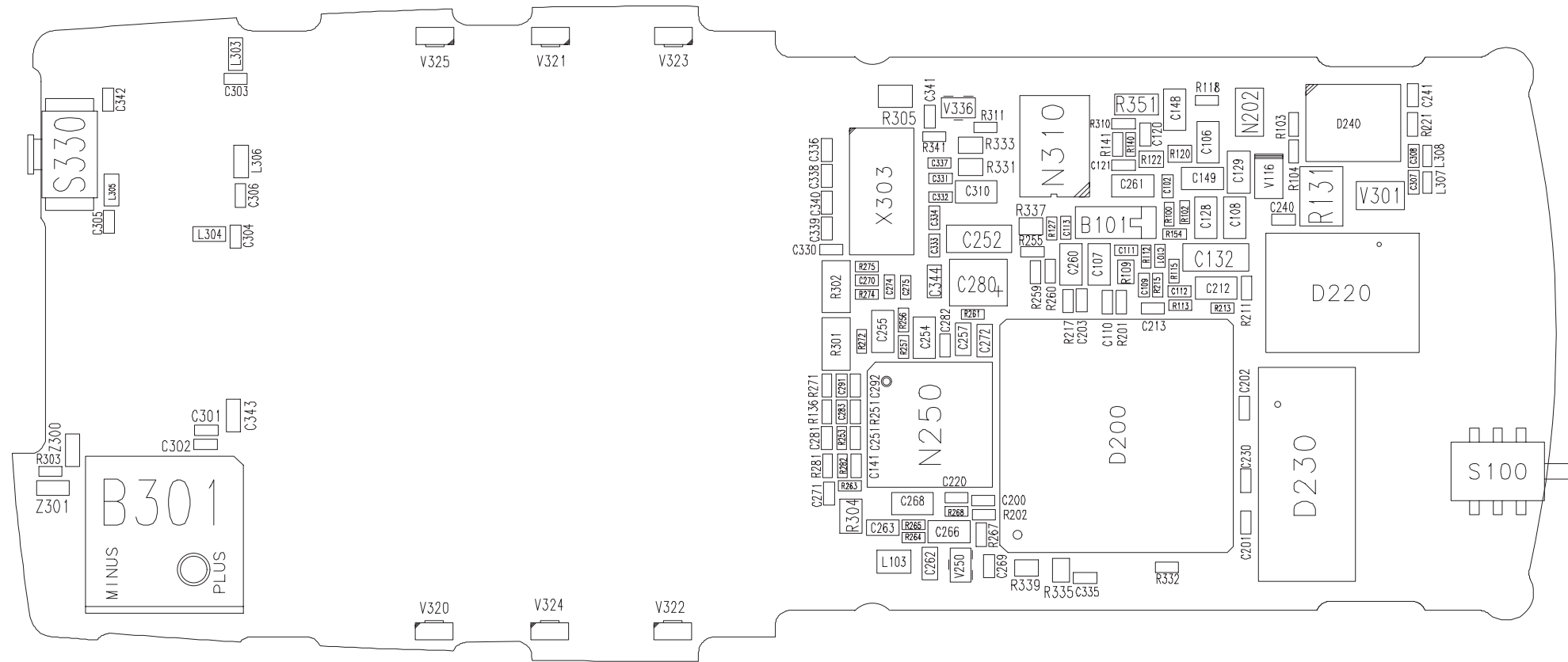


Ref 250-299

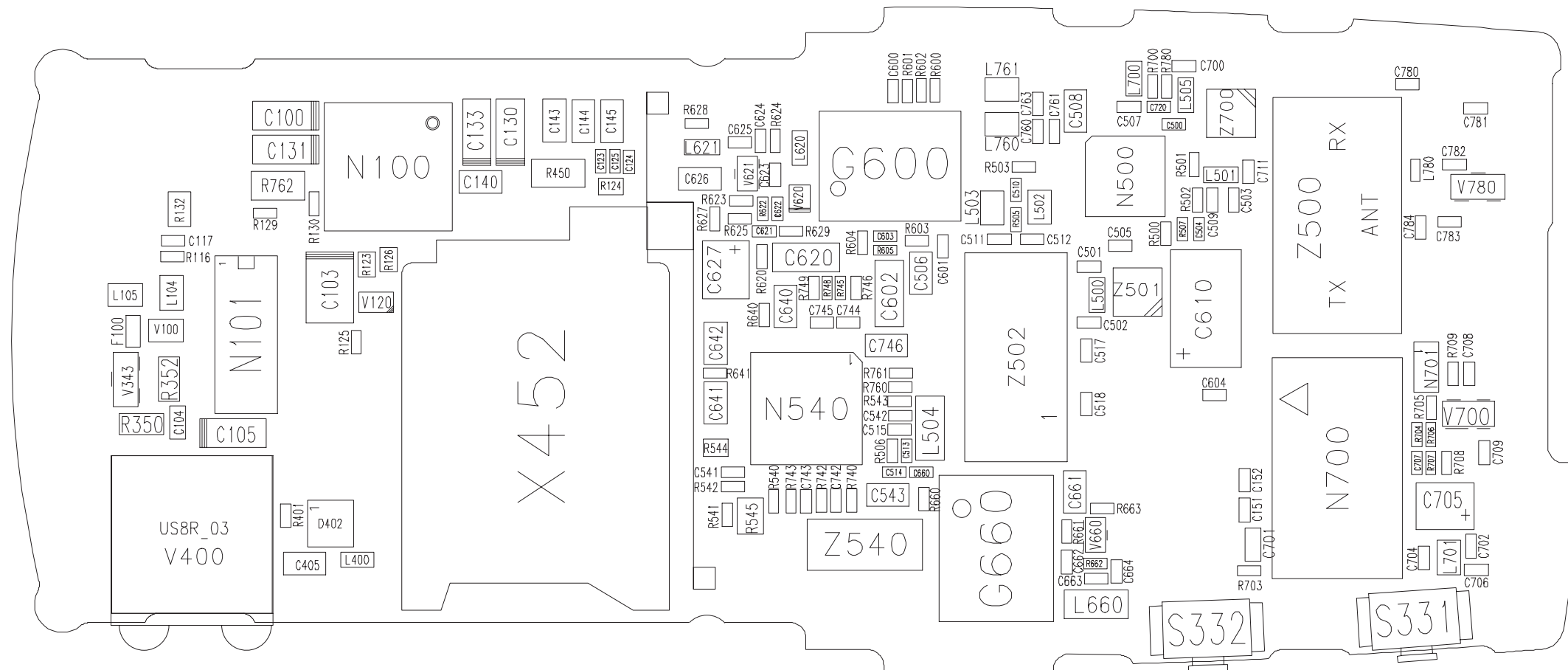




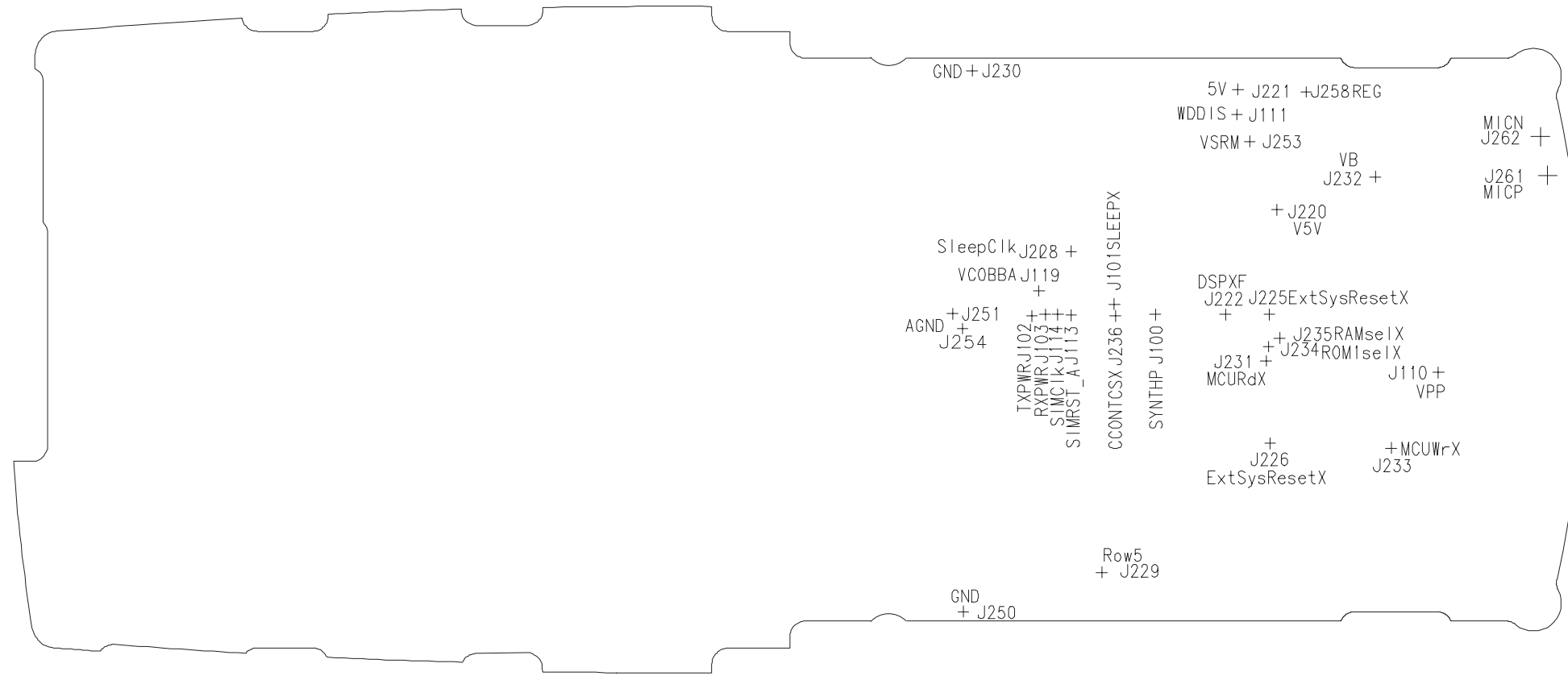
Layout Diagram of US8 – Top (Version 07)



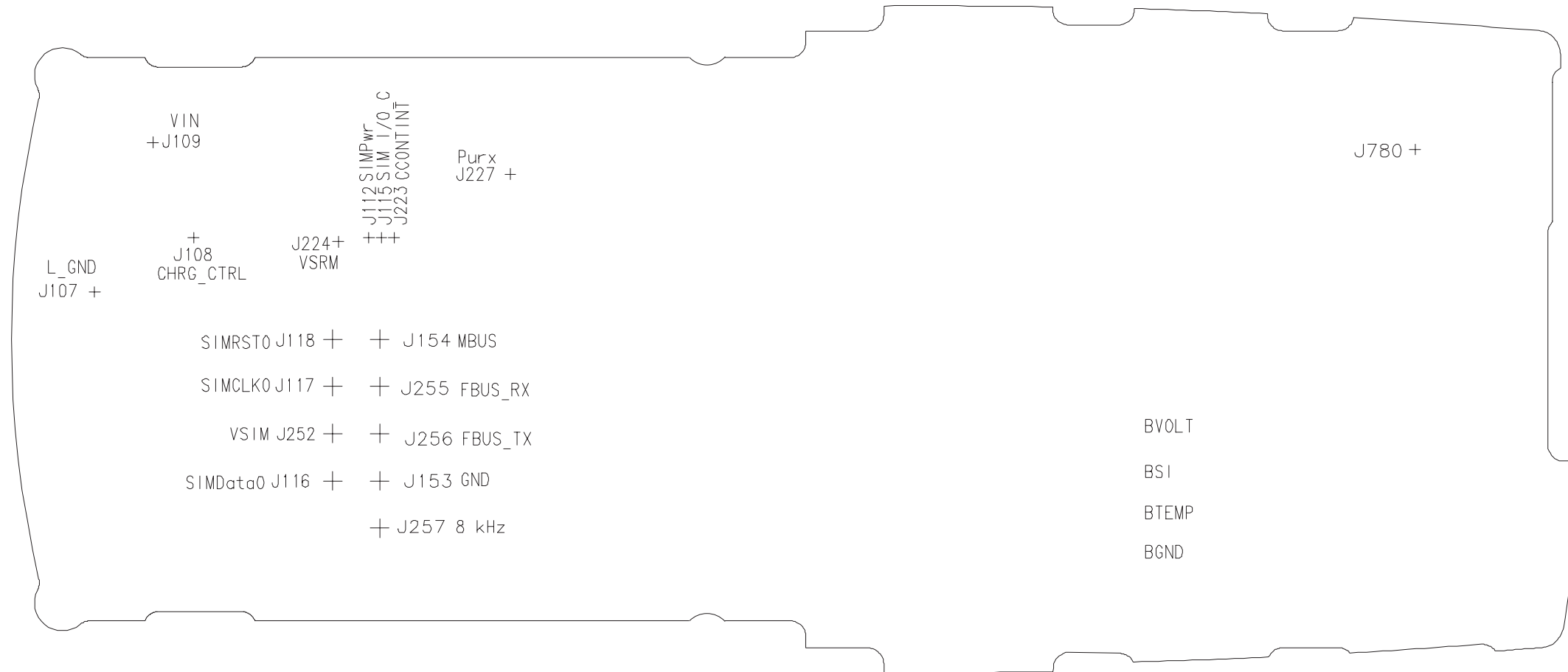
Layout Diagram of US8 – Bottom (Version 07)



Testpoints of US8 – Top (Version 07)



Testpoints of US8 – Bottom (Version 07)



testpoint ref	name	condition	dc-level	ac-level
J101	FBUS_TX	active state	pulsed DC (0V/2.8V)	
J104	CCONTCSX (CCONT chip select)	active state	pulse active 0V, non-active 2.8V	
J108	CHRG_CTRL	charger connected	pulsed DC (0V/2.8V)	
J220	V5V	active state	nominal 5.0V (min 4.8V, max 5.2V)	
J223	CCONTINT (charger, RTC interrupt)	interrupt	pulse active 2.8V, non-active 0V	
J225	EXTSYSRESETX	power on	reset state 0V, normal state 2.8V	
J226	VCXOPWR	power on	active state 2.8V, non-active 0V	
J227	PURX (power on reset)	power up/down	reset state 0V, normal state 2.8V	
J228	SLEEPCLK (32kHz clock)	power on	pulsed DC (0V/2.8V)	
J235	ROM1SELX	active state	pulse active 0V, non-active 2.8V	
J251	AGND	pcb ground	0V	
J256	COBBADAX	active state	pulse active 0V, non-active 2.8V	
J500	Control voltage for UHF VCO module G600	channel 60 channel 1 channel 124	2.25 +/- 0.25 V > 0.8 V < 3.7 V	
J504	Control voltage for VHF VCO circuit		typ. 2.0 -2.2 V min 0.5 / max 4.0 V	
J508	VSYN_2 (regulated supply for PLLS)		2.8 V min 2.7 / max 2.85 V	
J534&J536	13 MHz IF output to N250	-95 dBm @ X540 (ext. RF connector) RXC at level of full calibrated gain	typ ca. 1.0 - 1.1 V pulsed min. 0.7 / max. 1.4 V	typ. 50 mVpp balanced voltage at 13 MHz
J538	13 MHz output from Z620 to N620	-95 dBm @ X540 (ext. RF connector) RXC at level of full calibrated gain	typ. ca. 1.5 V pulsed	typ. ca 600 uVrms
J542	VHF VCO output (232 MHz)		-	typ. 400 mVpp. > 100 mVpp required
J554	TXC (TX power control voltage)		@level 19 typ. ca. 0.6 V pulse @level 5 typ ca. 1.8 V pulse	
J556	TXP (TX enable)		2.8 V logic level pulse, (max. 0.8 V "0" / min 2.0 V "1")	
J558	TXQP (other half of balanced Q-signal)		0.8 V pulsed	400 mVpp
J560	TXIP (other half of balanced I-signal)		0.8 V pulsed	400 mVpp